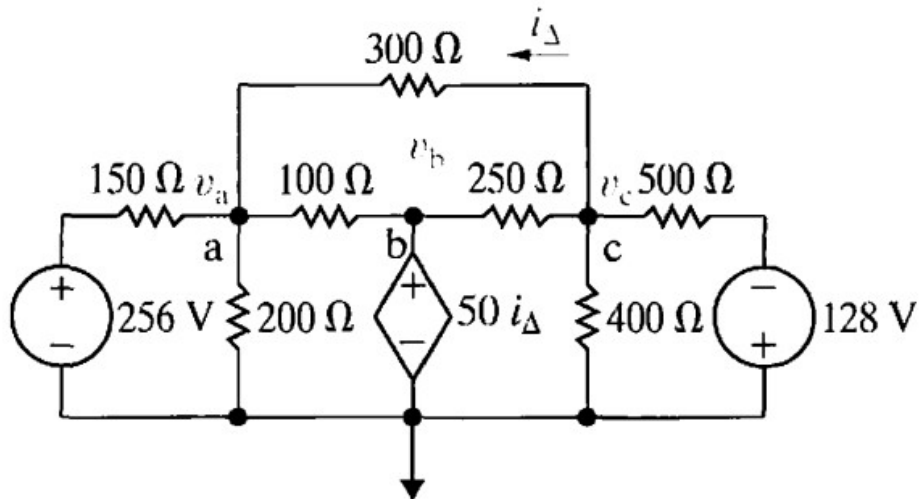


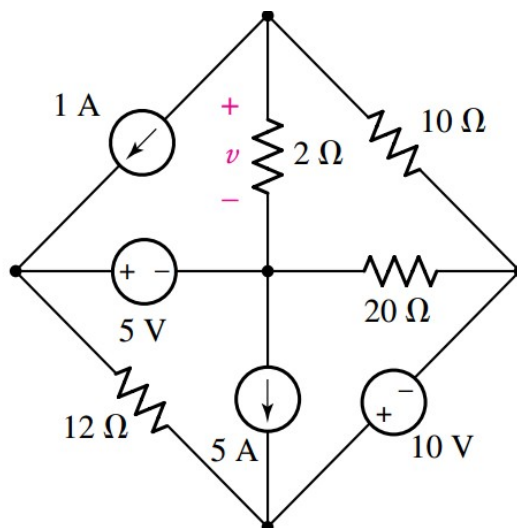
CENG205 HOMEWORK 1

1. (50p) Find the node voltages using Node Analysis.



Nodes	Voltages
Va (20p)	?
Vb (20p)	?
Vc (10p)	?

2.(50p) Find the voltage on 2ohm resistor using Mesh Analysis.



Deadline: 09.11.2017 at 16.00. No late submission will be accepted.